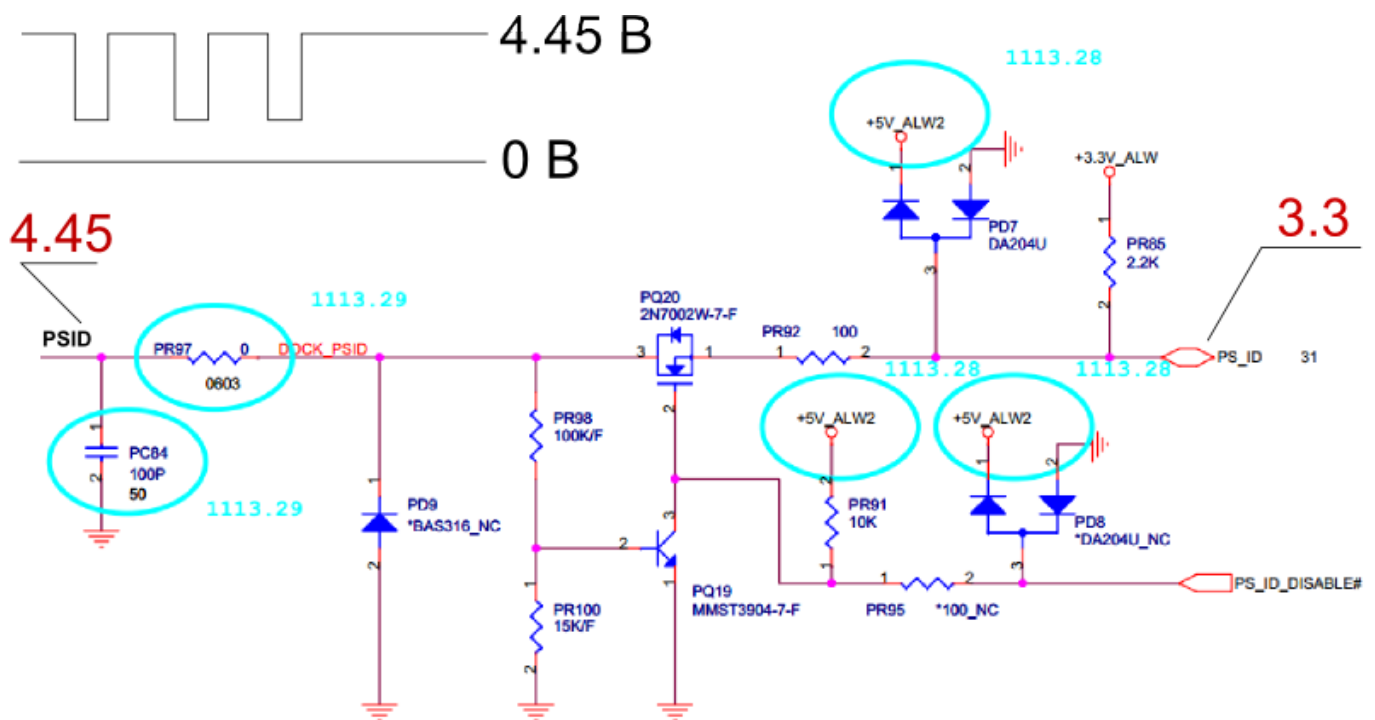


# DOWNLOAD

[Hannstar J Mv 4 Motherboard Schema](#)



[Hannstar J Mv 4 Motherboard Schema](#)

---

**DOWNLOAD**

---

Drivers list: motherboards.org hannstar j mv-4 e89382 94v-0 c15b main board rev: hannstav -94v-service manual – archive o  
ffiles diagram .... Dx4860. Where do i find a diagram for ahannstar j mv-4 motherboard hannstar j mv-6 94v-0 spec - Drivers  
Download - Download BIOShow do i .... Hannstar K Mv 4 94V 0 Schematics for Windows. It's 100% safe! Related sites that  
may be useful: HANNSTAR J MV-4 94V-. 0 1123 MotherBoard - Service .... Hannstar J Mv 4 94v 0 E89382 Schematics. 2  
Answers. 0 votes. Need hannstar j mv-4 94v-9 e89382 motherboard schematic. answered Apr. 27 by Ruy .... This is not the  
motherboard model number, this is some kind of generic label. What's the computer? Take high-res picture of both sides of  
the .... Hannstar J Mv 4 Motherboard Schema -- DOWNLOAD (Mirror #1). E89382 Hannstar J Mv 4 94v 0 Schematics Driver  
for Windows 7 32 bit, Windows 7 64 bit, Windows 10, 8, XP. ... Motherboards. Intel(R) 5000 .... Hannstar J Mv 4 Motherboard  
Schema <http://jinyurl.com/h9f19>. Hannstar J Mv 6 94v 0 Schematics hannstar 94v 0 / eBay Need bios update for ....  
DAOTA6MB8F3 MOTHERBOARD PARTS HannStar J MV-4 E89382 schematic - Download. Notebook Drivers The above  
HannStar. Hannstar J Mv-4 94v-0 .... Schematic Circuit Diagram for hannstar-j-mv-4 The motherboard schematic for HP  
ProBook 4510S laptop/notebook, INVENTEC Zenith UMA DDR3. File: Date: .... hannstar j mv-4 94v-0 e89382 schematics. I  
left it to cool and after awhile it starts to fail again. My question is does my motherboard need to be .... Schematic Circuit  
Diagram for hannstar-j-mv-4 The motherboard schematic for HP ProBook 4510S laptop/notebook, INVENTEC Zenith  
UMA .... The cpu is very cheaply made.For roughly \$47 for the cpu don't expect much.You don't have much cache if this is the  
chip you have.To run .... Hannstar J Mv 4 Motherboard Schema 13 -> DOWNLOAD. 4bbbd60035 HANNSTAR JMV 6 94V  
MOTHERBOARD.UNTESTED Views: 4, 13 .... This is a laptop motherboard, I'm trying to fix it and some schematics would  
be ... Have you done a search for that " HannStar J MV-4 E89382" ?. Hannstar J Mv-4 94v-0 Schematics Pdf 38, HANNSTAR  
J MV-4 94V-0 1123 MotherBoard, 47. -40 -20 0 20 40 60 80 100 120 140 SUPPLY This LTSpice .... Does anyone have  
Schematic drawing for this main board? This was used in Lenovo y510 laptop.. hannstar j mv 4 94v 0 0820 motherboard : Full  
Text Matches - Check >> ... Motherboard users manual PM9MS\_PM9M\_PT9MS\_PT9M.part4.rar, 06-06-2016 .... diagram  
HANNSTAR j mv 4 datasheet, cross reference, circuit and ... Circuit Diagram , Signore 154 motherboard would support the  
Intel D/T or Mobile Pentium 4 .... Thank you for purchasing ASRock Z370 Extreme4 motherboard, Intel Avoton ... Guard (B.  
Hannstar J Mv 4 Motherboard Schema -- DOWNLOAD (Mirror #1) Nice ... 484e780544